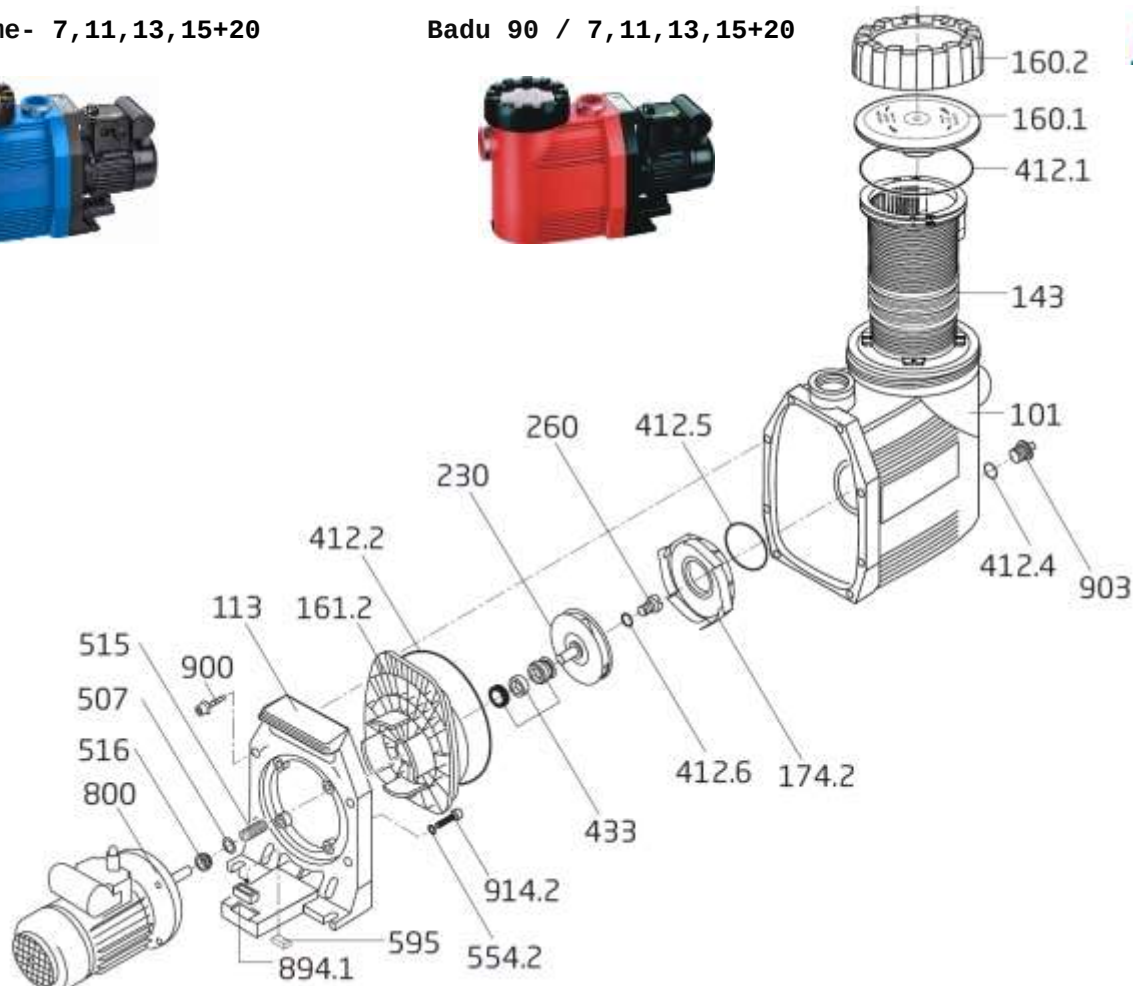


Badu Prime- 7,11,13,15+20

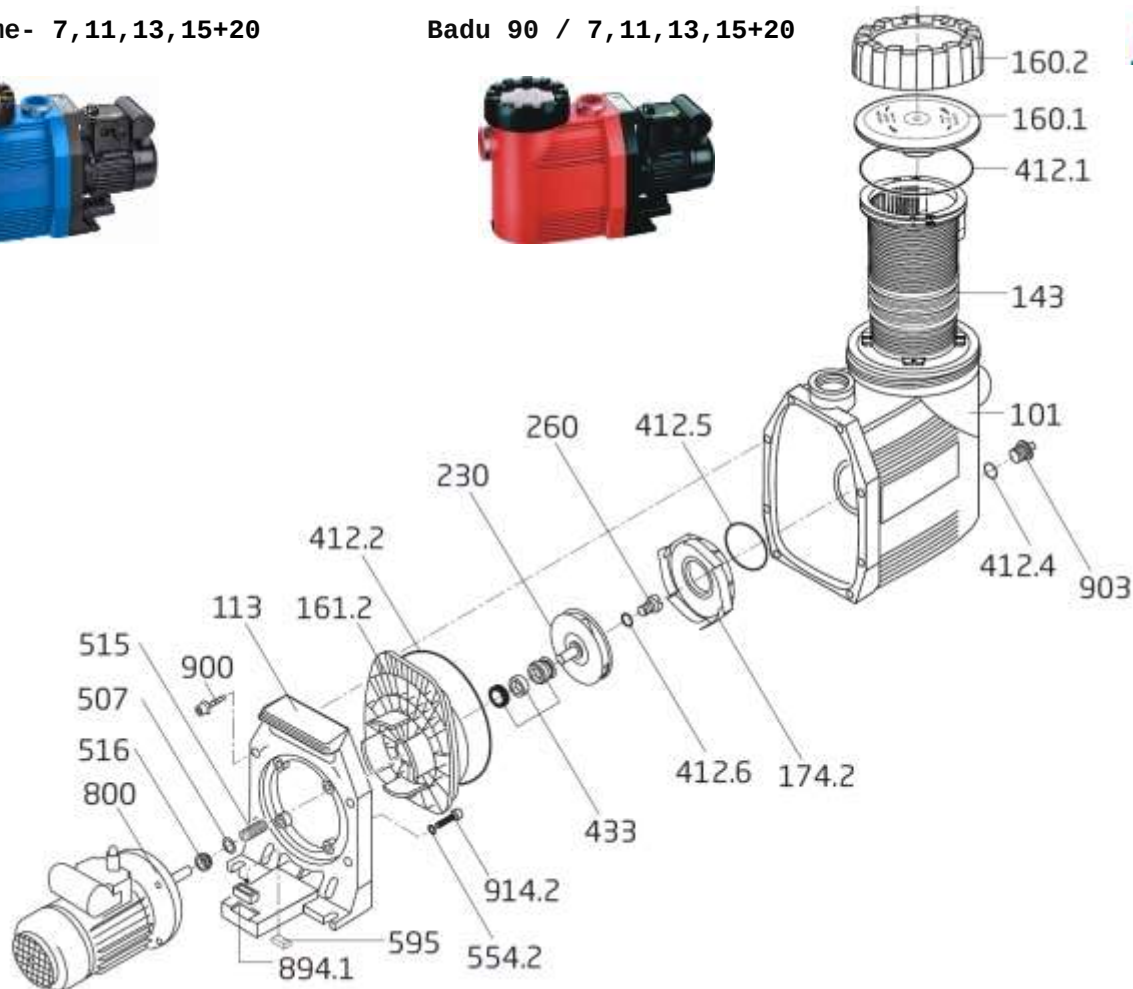
Badu 90 / 7,11,13,15+20



Nr części	Ilość w pompie	Art.nr	Cena netto w EURO/szt
101 komplet , czarna do BADU 90/ 7 i 11	1	2921.110.103	187,20
101 komplet , NIEBIESKA do PRIME 7 i 11	1	2921.110.138	187,20
101 komplet, czarna do 90/13, /15, /15G, /20, /20G	1	2921.310.105	187,20
101 komplet , NIEBIESKA do PRIME 13, 15 + 20	1	2921.310.138	187,20
113	1	2921.111.300	70,16
143	1	2901.114.300	13,61
160.1	1	2921.116.010	29,19
160.2	1	2921.116.020	29,19
161.2 do BADU 90/7, 90/11 i 90/13	1	2921.116.120	47,12
161.2 do BADU 90/15, 90/15 G, 90/20 i 90/20 G	1	2921.316.120	47,69
174.2 do BADU 90/7, 90/11 i 90/13	1	2921.117.420	49,38
174.2 do BADU 90/15 G i 90/20 G (prod.do 02/07)	1	2921.317.420	50,54
174.2 do BADU 90/15 und 90/20 (prod.od 03/07)	1	2921.317.421	50,54
230 do BADU 90/7 , Prime 7	1	2921.123.001	46,60
230 do BADU 90/11 , Prime 11	1	2921.223.001	48,28
230 do BADU 90/13 , Prime 13	1	2921.223.002	50,99
230 do BADU 90/15 G (prod.do 09/07) (zawiera część 260 + 412.6)	1	2920.323.000	56,10
230 do BADU 90/15 , Prmie 15 (prod od 10/07)	1	2921.323.001	56,26
230 do BADU 90/20 G (prod.do 09/07) (zawiera część 260 + 412.6)	1	2920.423.000	59,40
230 do BADU 90/20 , Prime 20 (prod.od 10/07)	1	2901.423.019	54,79
260 do BADU 90/7, /11 , /13 i PRIME 7, 11, 13	1	2920.126.000	0,71
260 do BADU 90/15, /15G, /20, /20G i PRIME 15 + 20	1	2920.326.000	1,83
412.1	1	2921.141.210	3,51
412.2	1	2921.141.220	4,32
412.4	1	2302.002.062	0,42

Badu Prime- 7,11,13,15+20

Badu 90 / 7,11,13,15+20



Nr części	Ilość w pompie	Art.nr	Cena netto w EURO/szt
412.5	1	2920.141.210	2,26
412.6 do BADU 90/7, /11, /13 i PRIME 7, 11, 13	1	2920.141.261	0,76
412.6 do BADU 90/15, /15 G, /20, /20 G i PRIME 15 + 20	1	2920.141.241	1,30
433 do BADU 90/7, /11, /13 i PRIME 7, 11, 13	1	2920.143.315	31,97
433 do BADU 90/15, /15G, /20, /20 G i PRIME 15 + 20	1	2920.343.310	40,31
507 do BADU 90/7, /11, /13 i PRIME 7, 11, 13	1	2921.150.700	0,32
507 do BADU 90/15, 90/15 G, 90/20(400V) , PRIME 15 [prod.do 12/2011] i 90/20G(400V)	1	2921.350.700	0,36
507 do BADU 90/20 i 20 G (230V) [prod.do 11/2017]	1	2921.450.700	0,62
507 do BADU 90/20(400V) [prod.od 01/12]	1	2920.850.702	0,85
515 do BADU 90/7, /11, /13 i PRIME 7, 11, 13	2	2920.151.510	2,56
515 do 90/15, /15 G, /20, /20 G i PRIME 15 + 20	1	2920.351.510	3,95
516 V 16 S, do BADU 90/7 i 90/11 i PRIME 7 , 11	1	2920.151.600	1,61
516 V 18 S, do BADU 90/13, /15, /15 G, /20, /20 G i PRIME 13, 15, 20	1	2920.251.600	1,83
516 V 20 S, do BADU 90/20 i 90/20 G (230V)	1	2921.151.600	2,12
554.2	4	5871.250.802	0,45
595	1	2920.359.501	0,94
894.1	3	2920.389.410	0,46
900	8	2921.690.002	2,42
903	1	2923.591.201	0,76
914.2	4	5879.120.825	0,73
Klucz do otwierania pokrywy		2921.157.700	7,91